

TPS6103x EVM-208 For High Efficient Output Current Boost Converter

Contents

1	Introduction	1
2	Setting Up the EVMs	2
	2.1 Introduction—Evaluation with the TPS6103x EVM.....	2
	2.2 Enable (EN) Jumper.....	2
	2.3 Power Save Mode Enable and Synchronization (SYNC) Jumper.....	2
	2.4 LBI/LBO Comparator	2
3	Bill of Materials, PCB Layout, and Schematic	3
	3.1 Bill of Materials	3
	3.2 PCB Layout.....	3
	3.3 Schematic.....	5

List of Figures

1	Component Placement.....	4
2	PCB Top Layer.....	4
3	PCB Bottom Layer.....	5
4	TPS6103x EVM Circuit Diagram.....	5

List of Tables

1	EVMS You Can Order	1
2	TPS6103x EVM Bill of Materials.....	3

1 Introduction

The Texas Instruments TPS61030, TPS61031, and TPS61032 evaluation modules (EVM) for high-efficiency boost converters help designers evaluate the different operating modes and the performance of the device. See Table 1–1 for the various EVMS available in this family.

If any other output voltage configuration is to be evaluated, the TPS61030 adjustable output voltage version can be set up to provide an output voltage between 2.5 V and 5.5 V at the output of the boost converter. Only the appropriate feedback resistor divider has to be adjusted. Also, other fixed output voltage device versions can be easily evaluated using the EVM. Refer to the [SLUS534](#) data sheet for the fixed output voltage options available in the TPS6103x device family. The TPS6103x has an input voltage range between 1.8 V and 5.5 V. For proper operation the maximum input voltage should not exceed the output voltage. The maximum output current is at least 1000 mA, depending on the input voltage.

Table 1. EVMS You Can Order

EVM Number	Description
TPS61030EVM-208	Adjustable boost output voltage, set to 5 V
TPS61031EVM-208	Boost output voltage fixed at 3.3 V
TPS61032EVM-208	Boost output voltage fixed at 5 V

2 Setting Up the EVMs

It is important to establish all connections for the EVM before power is applied to the EVM.

- q Connect a power supply (1.8 V to VOUT, depending on the output voltage of the EVM) to the INPUT header.
- q Connect a voltmeter to the OUTPUT header.
- q Verify that all jumpers are set to the correct value (EN, SYNC). Default value for EN for V_{BAT} and SYNC for GND.
- q Turn on the power supply and verify the output voltage is within limits described in the **EVM Warnings and Restrictions** section. It is important to operate this EVM within the input voltage range of 1.8 V to 5.0 V and the output voltage range of 2.5 V to 5.5 V at the dc-dc output.

2.1 Introduction—Evaluation with the TPS6103x EVM

This chapter details the evaluation process and features of the EVM. For detailed evaluation, a load must be connected to the output terminal in order to adjust the load current between 0 mA and 1600 mA.

CAUTION

For accurate output voltage and input voltage measurements, it is important to measure the voltage on the input and output voltage terminals with Kelvin contacts or with a voltmeter connected directly to the input voltage or output voltage terminals. This eliminates any measurement errors related to voltage drops along the input and output terminal wires connected to the power supply or load.

2.2 Enable (EN) Jumper

This jumper is used to enable the device. Connecting the enable pin (EN) to V_{BAT} enables the part. The device is disabled when EN is set to GND. For more details about the Enable Jumper, refer to the [SLUS534](#) data sheet.

2.3 Power Save Mode Enable and Synchronization (SYNC) Jumper

This jumper enables the device to enter into power save mode at light load, when it is set to GND. The device automatically stops switching when the output voltage reached its upper threshold, and starts switching again, when the lower threshold of the output voltage is reached.

When disabling the power save function by setting the jumper to V_{BAT}, the device stays operating in fixed frequency mode, regardless of the load current value. In this mode, however reverse current flows back to the input during light load operation, increasing power losses. The operating frequency stays constant, which implies low output voltage ripple.

To synchronize the operating frequency to an external frequency, a clock signal can be applied to the SYNC pin. The device then operates at the applied operating frequency, with no Power Save Mode. For more details about the applied frequency and synchronization frequency range, refer to the [SLUS534](#) data sheet.

2.4 LBI/LBO Comparator

The LBO terminal is an open drain output and has a pullup resistor, R6, connected to the output. The signal on this pins goes low as soon as the input voltage at LBI falls below the threshold of 500 mV. Refer to the more detailed description in the [SLUS534](#) data sheet.

The LBO output stays at high-impedance when the input voltage at LBI is above the appropriate threshold. A resistor divider (R1, R2) is used on the EVM to monitor the supply voltage. More details about setting the low battery threshold voltage can be found in the [SLUS534](#) data sheet.

3 Bill of Materials, PCB Layout, and Schematic

Section Contents:

- [Section 3.1](#) Bill of Materials
- [Section 3.2](#) PCB Layout
- [Section 3.3](#) Schematic

3.1 Bill of Materials

The TPS6103x EVM Bill of Materials is shown in [Table 2](#) with adjustable and fixed output voltage versions.

More details about the design and component selection for the dc-dc converter can be found in the [SLUS534](#) data sheet.

Table 2. TPS6103x EVM Bill of Materials

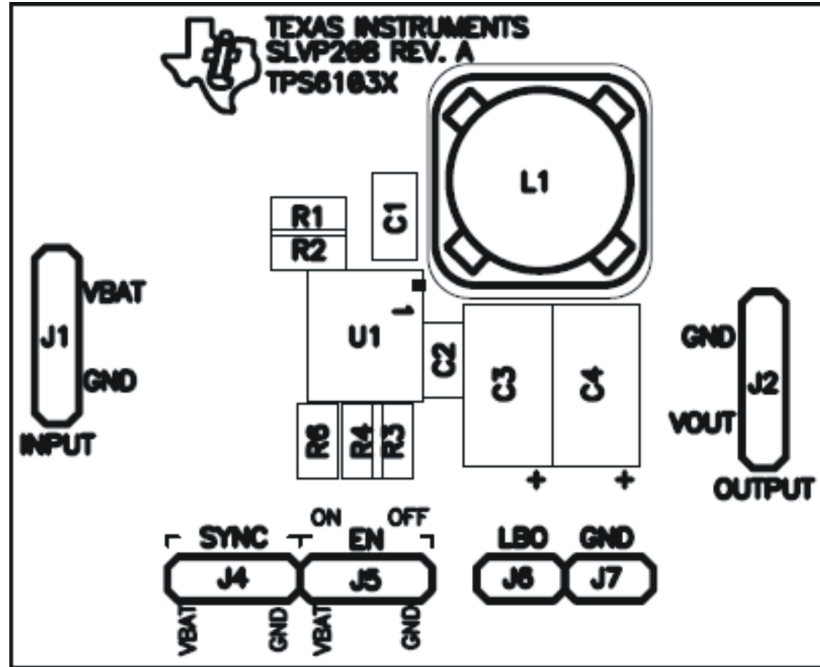
Reference	Description	Manufacturer	Comments
C3, C4	100 μ F 10 V, Low ESR tantalum size D	Vishay	594D-107X0016C2T or 594D-107X0010C2T
C1	10 μ F X5R 6.3 V, capacitor SMD1206	TDK	C3216X5R0J106M
C2	2.2 μ F X5R 10 V, capacitor SMD0805	TDK	C2012X5R1A225M
L1	6.8 μ H, CDRH124-6R8	Sumida	SUMIDA CDRH104R-7R0, CDRH104R-100, or EPCOS B82464-G4682-M
R4	200 k Ω , 1%, resistor SMD0805		TPS61030EVM, not used on the fixed output voltage versions
R3	1.8 M Ω , 1%, resistor SMD0805		TPS61030EVM, not used on the fixed output voltage versions
R6	1 M Ω , 1%, resistor SMD0805		
R1	560 k Ω , 1%, resistor SMD0805		
R2	180 k Ω , 1%, resistor SMD0805		
J1, J2	Header 1", 0.1" pitch		
J6, J7	Header 1", 0.1" pitch		
J5	Header 1', 0.1" pitch		With jumper set to V_{BAT}
J4	Header 1', 0.1" pitch		With jumper set to GND
U1	TPS61030PW, TSSOP16 PowerPAD	TI	TPS61030EVM-208
	TPS61031PW, TSSOP16 PowerPAD		TPS61031EVM-208
	TPS61032PW, TSSOP16 PowerPAD		TPS61032EVM-208

3.2 PCB Layout

For all switch mode power supplies the PCB layout is a critical step in the power supply design process. [Figure 1](#), [Figure 2](#), [Figure 3](#), and [Figure 4](#) show the layout for the adjustable and fixed output voltage EVMs. Please refer to the [SLUS534](#) data sheet for further layout guidelines.

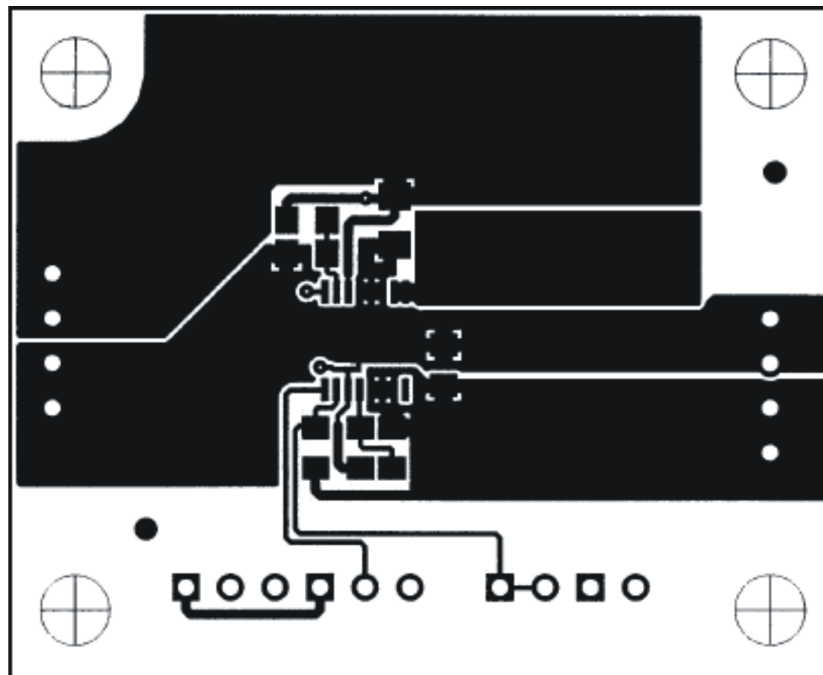
The required board area for the complete dc-to-dc converter solution takes up less than 494 mm² (19 mm \times 26 mm) on a double-sided PCB, as it is indicated by the [Figure 1](#) component placement.

Figure 1. Component Placement



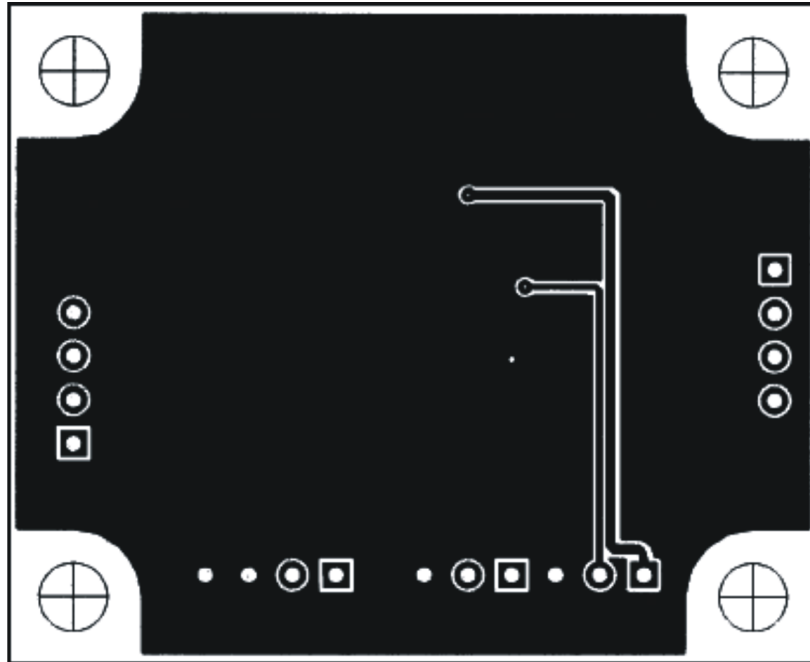
C001

Figure 2. PCB Top Layer



C002

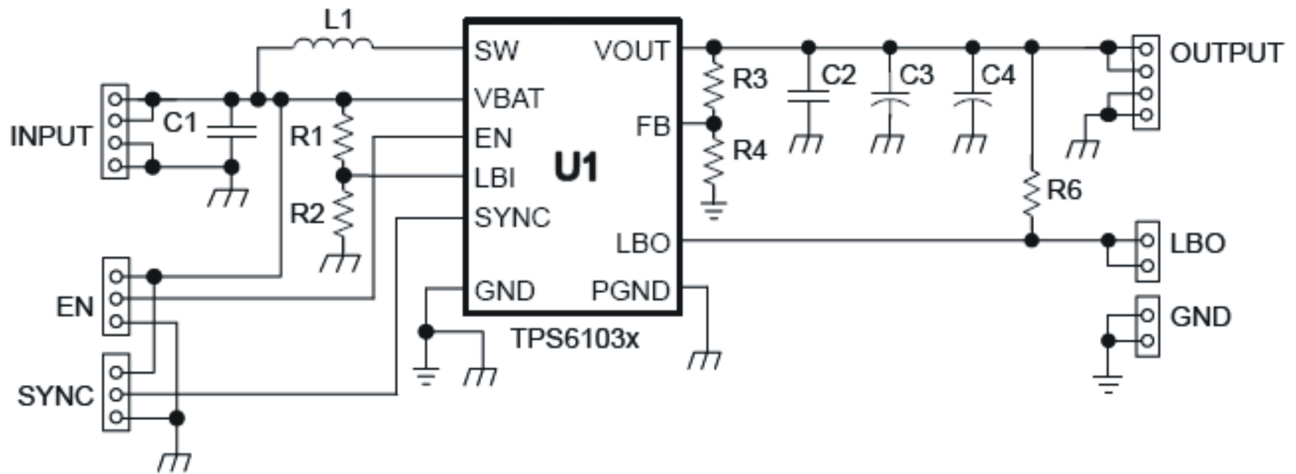
Figure 3. PCB Bottom Layer



C003

3.3 Schematic

Figure 4. TPS6103x EVM Circuit Diagram



C004

EVALUATION BOARD/KIT IMPORTANT NOTICE

Texas Instruments (TI) provides the enclosed product(s) under the following conditions:

This evaluation board/kit is intended for use for **ENGINEERING DEVELOPMENT, DEMONSTRATION, OR EVALUATION PURPOSES ONLY** and is not considered by TI to be a finished end-product fit for general consumer use. Persons handling the product(s) must have electronics training and observe good engineering practice standards. As such, the goods being provided are not intended to be complete in terms of required design-, marketing-, and/or manufacturing-related protective considerations, including product safety and environmental measures typically found in end products that incorporate such semiconductor components or circuit boards. This evaluation board/kit does not fall within the scope of the European Union directives regarding electromagnetic compatibility, restricted substances (RoHS), recycling (WEEE), FCC, CE or UL, and therefore may not meet the technical requirements of these directives or other related directives.

Should this evaluation board/kit not meet the specifications indicated in the User's Guide, the board/kit may be returned within 30 days from the date of delivery for a full refund. **THE FOREGOING WARRANTY IS THE EXCLUSIVE WARRANTY MADE BY SELLER TO BUYER AND IS IN LIEU OF ALL OTHER WARRANTIES, EXPRESSED, IMPLIED, OR STATUTORY, INCLUDING ANY WARRANTY OF MERCHANTABILITY OR FITNESS FOR ANY PARTICULAR PURPOSE.**

The user assumes all responsibility and liability for proper and safe handling of the goods. Further, the user indemnifies TI from all claims arising from the handling or use of the goods. Due to the open construction of the product, it is the user's responsibility to take any and all appropriate precautions with regard to electrostatic discharge.

EXCEPT TO THE EXTENT OF THE INDEMNITY SET FORTH ABOVE, NEITHER PARTY SHALL BE LIABLE TO THE OTHER FOR ANY INDIRECT, SPECIAL, INCIDENTAL, OR CONSEQUENTIAL DAMAGES.

TI currently deals with a variety of customers for products, and therefore our arrangement with the user **is not exclusive.**

TI assumes **no liability for applications assistance, customer product design, software performance, or infringement of patents or services described herein.**

Please read the User's Guide and, specifically, the Warnings and Restrictions notice in the User's Guide prior to handling the product. This notice contains important safety information about temperatures and voltages. For additional information on TI's environmental and/or safety programs, please contact the TI application engineer or visit www.ti.com/esh.

No license is granted under any patent right or other intellectual property right of TI covering or relating to any machine, process, or combination in which such TI products or services might be or are used.

FCC Warning

This evaluation board/kit is intended for use for **ENGINEERING DEVELOPMENT, DEMONSTRATION, OR EVALUATION PURPOSES ONLY** and is not considered by TI to be a finished end-product fit for general consumer use. It generates, uses, and can radiate radio frequency energy and has not been tested for compliance with the limits of computing devices pursuant to part 15 of FCC rules, which are designed to provide reasonable protection against radio frequency interference. Operation of this equipment in other environments may cause interference with radio communications, in which case the user at his own expense will be required to take whatever measures may be required to correct this interference.

Mailing Address: Texas Instruments, Post Office Box 655303, Dallas, Texas 75265
Copyright © 2007, Texas Instruments Incorporated

EVM WARNINGS AND RESTRICTIONS

It is important to operate this EVM within the input voltage range of 1.8 V to 5.0 V and the output voltage range of 2.5 V to 5.5 V.

Exceeding the specified input range may cause unexpected operation and/or irreversible damage to the EVM. If there are questions concerning the input range, please contact a TI field representative prior to connecting the input power.

Applying loads outside of the specified output range may result in unintended operation and/or possible permanent damage to the EVM. Please consult the EVM User's Guide prior to connecting any load to the EVM output. If there is uncertainty as to the load specification, please contact a TI field representative.

During normal operation, some circuit components may have case temperatures greater than 60° C. The EVM is designed to operate properly with certain components above 60° C as long as the input and output ranges are maintained. These components include but are not limited to linear regulators, switching transistors, pass transistors, and current sense resistors. These types of devices can be identified using the EVM schematic located in the EVM User's Guide. When placing measurement probes near these devices during operation, please be aware that these devices may be very warm to the touch.

Mailing Address: Texas Instruments, Post Office Box 655303, Dallas, Texas 75265
Copyright © 2007, Texas Instruments Incorporated

IMPORTANT NOTICE

Texas Instruments Incorporated and its subsidiaries (TI) reserve the right to make corrections, modifications, enhancements, improvements, and other changes to its products and services at any time and to discontinue any product or service without notice. Customers should obtain the latest relevant information before placing orders and should verify that such information is current and complete. All products are sold subject to TI's terms and conditions of sale supplied at the time of order acknowledgment.

TI warrants performance of its hardware products to the specifications applicable at the time of sale in accordance with TI's standard warranty. Testing and other quality control techniques are used to the extent TI deems necessary to support this warranty. Except where mandated by government requirements, testing of all parameters of each product is not necessarily performed.

TI assumes no liability for applications assistance or customer product design. Customers are responsible for their products and applications using TI components. To minimize the risks associated with customer products and applications, customers should provide adequate design and operating safeguards.

TI does not warrant or represent that any license, either express or implied, is granted under any TI patent right, copyright, mask work right, or other TI intellectual property right relating to any combination, machine, or process in which TI products or services are used. Information published by TI regarding third-party products or services does not constitute a license from TI to use such products or services or a warranty or endorsement thereof. Use of such information may require a license from a third party under the patents or other intellectual property of the third party, or a license from TI under the patents or other intellectual property of TI.

Reproduction of TI information in TI data books or data sheets is permissible only if reproduction is without alteration and is accompanied by all associated warranties, conditions, limitations, and notices. Reproduction of this information with alteration is an unfair and deceptive business practice. TI is not responsible or liable for such altered documentation. Information of third parties may be subject to additional restrictions.

Resale of TI products or services with statements different from or beyond the parameters stated by TI for that product or service voids all express and any implied warranties for the associated TI product or service and is an unfair and deceptive business practice. TI is not responsible or liable for any such statements.

TI products are not authorized for use in safety-critical applications (such as life support) where a failure of the TI product would reasonably be expected to cause severe personal injury or death, unless officers of the parties have executed an agreement specifically governing such use. Buyers represent that they have all necessary expertise in the safety and regulatory ramifications of their applications, and acknowledge and agree that they are solely responsible for all legal, regulatory and safety-related requirements concerning their products and any use of TI products in such safety-critical applications, notwithstanding any applications-related information or support that may be provided by TI. Further, Buyers must fully indemnify TI and its representatives against any damages arising out of the use of TI products in such safety-critical applications.

TI products are neither designed nor intended for use in military/aerospace applications or environments unless the TI products are specifically designated by TI as military-grade or "enhanced plastic." Only products designated by TI as military-grade meet military specifications. Buyers acknowledge and agree that any such use of TI products which TI has not designated as military-grade is solely at the Buyer's risk, and that they are solely responsible for compliance with all legal and regulatory requirements in connection with such use.

TI products are neither designed nor intended for use in automotive applications or environments unless the specific TI products are designated by TI as compliant with ISO/TS 16949 requirements. Buyers acknowledge and agree that, if they use any non-designated products in automotive applications, TI will not be responsible for any failure to meet such requirements.

Following are URLs where you can obtain information on other Texas Instruments products and application solutions:

Products		Applications	
Amplifiers	amplifier.ti.com	Audio	www.ti.com/audio
Data Converters	dataconverter.ti.com	Automotive	www.ti.com/automotive
DSP	dsp.ti.com	Broadband	www.ti.com/broadband
Interface	interface.ti.com	Digital Control	www.ti.com/digitalcontrol
Logic	logic.ti.com	Military	www.ti.com/military
Power Mgmt	power.ti.com	Optical Networking	www.ti.com/opticalnetwork
Microcontrollers	microcontroller.ti.com	Security	www.ti.com/security
RFID	www.ti-rfid.com	Telephony	www.ti.com/telephony
Low Power Wireless	www.ti.com/lpw	Video & Imaging	www.ti.com/video
		Wireless	www.ti.com/wireless

Mailing Address: Texas Instruments, Post Office Box 655303, Dallas, Texas 75265
Copyright © 2007, Texas Instruments Incorporated